

Important Safety Information

Please read these instructions carefully before installing or using the unit.

Installation

- * This unit must be installed by qualified personnel, according to the manufacturers Instructions and the relevant Local Standards.
- * Remove all packaging before using the unit.
- * Ensure that the electrical supply complies with current regulations and has a suitable electrical protection device fitted.
- * Do not attempt to modify the unit in any way.

Child Safety

- * This unit is designed to be operated by adults. Do not allow children to play near or with the unit. Some components of the S-Box could be hazardous to small children. Keep all these items out of reach and do not leave children unattended in the assembly area.

During Use

- * This unit is intended for domestic use only, it is not designed for commercial or industrial purposes.
- * Do not use the unit if it has been subjected to water penetration. Do not use any of the electrical components or appliances contained within the unit if you have wet hands.

Electrical Connections

Any electrical work required to install this unit should be carried out by a qualified electrician or competent person, in accordance with the current IEEE regulations.

THIS UNIT MUST BE EARTHED (Where Appropriate)

The manufacturer declines any liability should these safety measures not be observed.

Before switching on, make sure the electrical supply voltage is the same as that indicated on the base of the unit and/or contained within the documentation supplied.

Cleaning Instructions

We recommend the following for the general cleaning of your S-Box :-

Top Surface

A damp cloth or sponge with a solution of dish washing liquid will remove everyday stains.

Raising Unit

A dry cloth and anti static spray should both clean the unit and stop dust from gathering on its surfaces.

NOTE: YOUR S-BOX IS NOT WATER PROOF

Unit Operation

This unit essentially works on a counter balance system, whereby, not unlike a seesaw when you add or subtract weight from one side, you must then balance out the opposite side by doing the same (adding or subtracting weight).

During the process of design and manufacture we have calculated and installed the correct counterbalance weights to allow the unit to be operated smoothly and efficiently, whilst at the same time, maintaining the opportunity for the installer, or user at a later date, to modify the weight in the event that the contents are changed.

By simply applying a small amount of pressure to the top section of the unit you will hear a small click, which is the hold catch being released, now remove your hand and let the unit raise of its own accord.

Now you can use the unit and/or its contents for its designed purpose.

When you have finished using the unit, simply apply a small amount of pressure to the top section and push the unit level with the work surface, push a little harder and you will hear or feel the hold catch doing its job, which is retaining the unit in its lowered or closed position.

Useful Information

S-Box Contents

Your S-Box may have been supplied with additional content such as a TV, MP3 or other items. In the event that this is the case you will find any associated literature relative to the supplied contents within the S-Box packaging.

The S-Box by its nature is supplied with varying contents. Please keep safe all of the additional documentation and user manuals etc that have been supplied with your S-Box.

Customer's Record

The model number and serial number of this product may be found on the bottom of the unit. You should note this serial number in the space provided below and retain this information sheet, plus your purchase receipt, as a permanent record of your unit for warranty purposes.

Model Number _____ **Serial Number** _____

Technical Data

	<u>Cut Out Dimensions</u>	<u>Package Weight</u>	<u>IP Rating</u>
Knife Box	115mm x 425mm	17.9 Kg	n/a
Spice Box	115mm x 425mm	20.9 Kg	n/a
Key Box	115mm x 425mm	17.8 Kg	n/a
Socket Box	115mm x 295mm	10.6 Kg	IP24
MP3 Box	115mm x 295mm	11.8 Kg	IP24
TV Box	135mm x 535mm	28.0 Kg	IP24

Compliance



Not all S-Box products require CE approval, however any units that do require the CE mark have gained it.



The S-Box has undergone extensive testing by FIRA (Furniture Industry Research Association) and has passed their testing criteria.

Guarantee Conditions (UK)

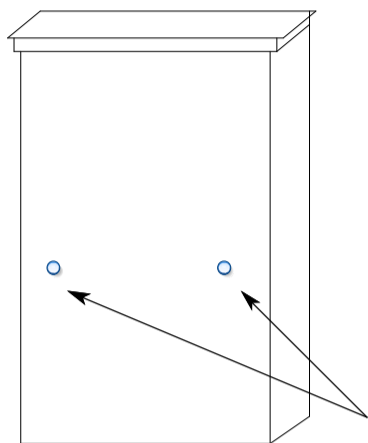
- S-Box Ltd offer the following guarantee to the first purchaser of this unit.
- The guarantee is valid for 12 months commencing when the unit is handed over to the first retail purchaser, which must be verified by purchase invoice or similar documentation.
- The guarantee does not cover commercial use.
- The guarantee covers all parts or components which fail due to faulty workmanship or faulty materials. The guarantee does not cover units where defects or poor performance are due to misuse, accidental damage, neglect, faulty installation, unauthorised modification or attempted repair, commercial use or failure to observe requirements and recommendations set out in this instruction sheet.
- This guarantee does not cover such parts as light bulbs, removable glassware or plastics.
- Should guarantee repairs be necessary the purchaser must inform the nearest S-Box service center (manufacturer's service or authorised agent). S-Box reserves the right to stipulate the place of repair (i.e. the customer's home, place of installation or S-Box workshop).
- Repairs carried out under guarantee do not extend the guarantee period for the unit. The guarantee or free replacement excludes installation. Parts removed during guarantee repairs become property of S-Box Ltd.
- The purchaser's statutory rights are not affected by this guarantee.

Installation

! Before You Start !

Please be advised, it is much easier to install the S-Box before you install any wall cabinets.

1 Transport Screws

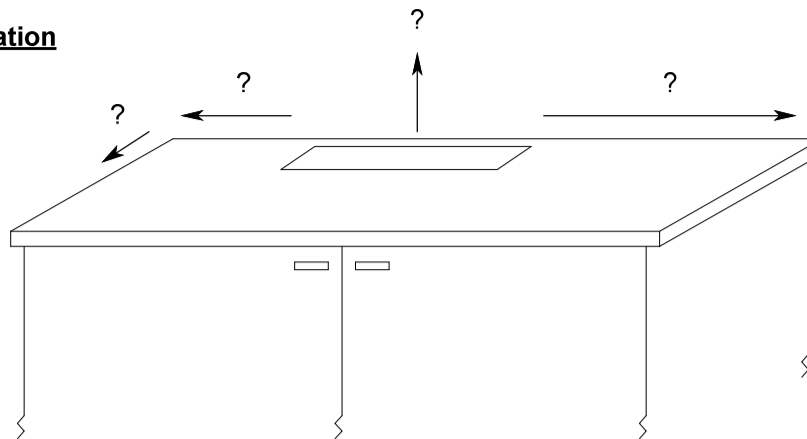


Before trying to use your S-Box please remove the transport screws.

The transport screws are located in the rear section of the outer box.

NB. The S-Box TV unit does not have transport screws, please open the front cover of the unit and remove the black plastic angle section that is bonded between the base of the unit and the counter balance.

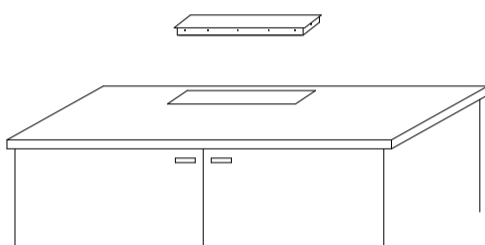
2 S-Box Location



The S-Box has been designed to be located either at the rear of your kitchen unit, or alternatively within an island.

Understand the dimensions of your units width, depth, length and height as you select the desired final location and make sure you have clearance above and below the worksurface to accept the S-Box.

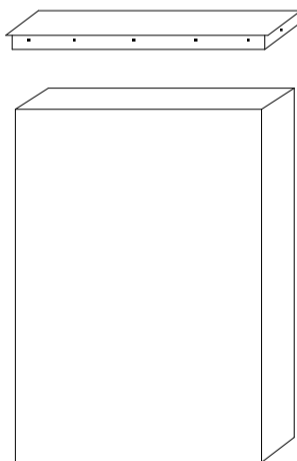
3 Cutting The Work Surface



The standard S-Box has been designed to accommodate any worktop thickness, due to the unit having its own top, and has a collar with an 8mm overhang to all its four sides.

You are advised to check the worktop cut out dimensions relative to your unit before commencing the cutting. Your worksurface can be one of many types of material and you should consult documentation relative to your worksurface on how to cut it.

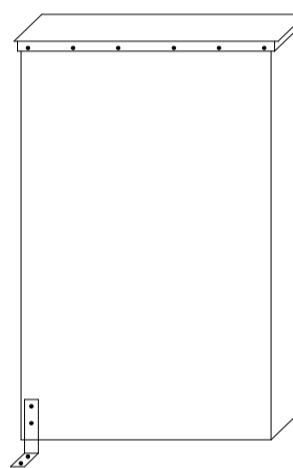
5 Retro Fit



In the event that you need to install an S-Box in an existing installation, and are restricted by height, thus not allowing you to insert the S-Box from above, simply remove the collar as shown, and insert the S-box from below.

Thereafter replace the collar, and lower the S-Box into the worksurface, observing point 4.

4 Install / Seal / Fix

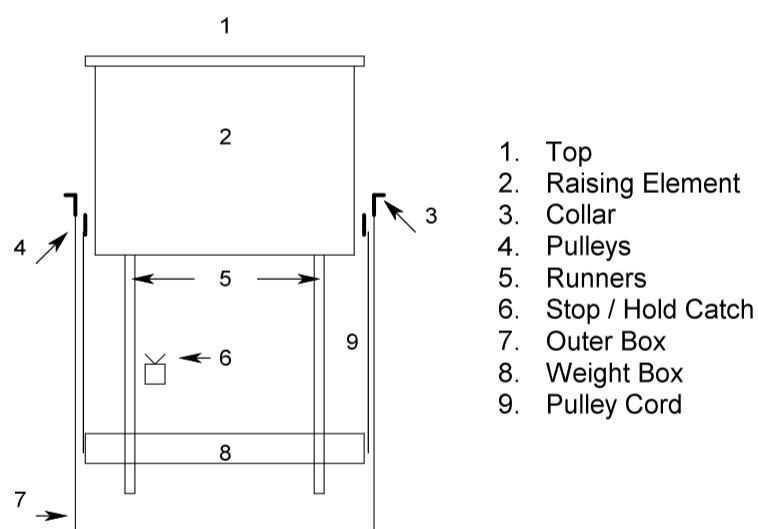


Once your worksurface has been cut to accept the S-Box simply apply a suitable sealant to the underside of the collar and slowly lower into worksurface, being mindful of any protruding screws on the S-Box.

Make sure that raw edges of worksurface have also been treated with a suitable sealant as applicable.

Finally, fix the L bracket as supplied to the base of unit and a suitable anchor point within the kitchen units housing.

S-Box Components



1. Top
2. Raising Element
3. Collar
4. Pulleys
5. Runners
6. Stop / Hold Catch
7. Outer Box
8. Weight Box
9. Pulley Cord

Service and Spare Parts

If you require spare parts or an engineer, please contact us by emailing :-

service@the-sbox.com

When you contact us you will need the following information :-

1. Your name, address and postcode.
2. Your telephone number.
3. Clear and concise details of the fault.
4. The model and serial number (see rating label on base of unit)
5. Date and proof of purchase.

If after all the checks as described within this information sheet, your unit still does not operate correctly, please contact our service department on the above email address.

Please note that it will be necessary to provide proof of purchase for any in-guarantee service calls.

In-guarantee customers should ensure that the above checks have been made as the engineer may make a charge if the fault is not a mechanical or electrical breakdown.

Something Not Working ?

Symptom	Solution
The unit raises very slowly	<ol style="list-style-type: none"> 1. Add a small amount of weight to the counter balance 2. Lubricate the main runners at the rear of the S-Box
The unit raises very quickly	Remove a small amount of weight from the counter balance
The unit makes a noise when it raises/lowers	Lubricate the two pulley wheels at the top of the box
My TV / MP3 is Not Working Correctly	Refer to the additional manuals supplied with your unit

NB. To gain access to the counter balance, remove the front panel of the S-Box by un-screwing the 4 or 6 screws holding the front panel in place.

Please Retain This Information Sheet For Future Reference